

**BCJ52 Series Explosion Proof Emergency Light
 Type B : Emergency Lamp (LED)**

STANDARD FEATURES

HOUSING

- Aluminum cast alloy surface coated with plastic fine outline
- Headgear wiring with steel tubing cable.
- Ingress Protection: IP65 Class

MOUNTING

- Wall or ceiling mounting

APPLICATION

- Hazardous division 1 and 2
- Explosive gas atmosphere: Class IIA, IIB, IIC
- Indoor (IP54) or outdoor (IP65)

PACKING SPECIFICATIONS

- 1 units per carton
- 295mm x 275mm x 150mm

PRODUCT WARRANTY

- One Year for Parts
- Lifetime Free Service

ELECTRICAL FEATURES

ELECTRICAL

- 220~240 VAC 50/60Hz
- Type B: Emergency Lamp
- LED charge and power monitor

LIGHT SOURCE

- 2W x 2 Hi-power LED
- 5,000°K ~ 6,000°K CCT

COMPLIANCE:

- IEC60079-0, IEC60079-1, IEC60079-7
- IEC60079-18, IEC61241-1-1

BATTERY

- Rechargeable Ni-Mh Cell

PERFORMANCE

- 2 hours ± 10% lighting duration

CABLE ENTRIES

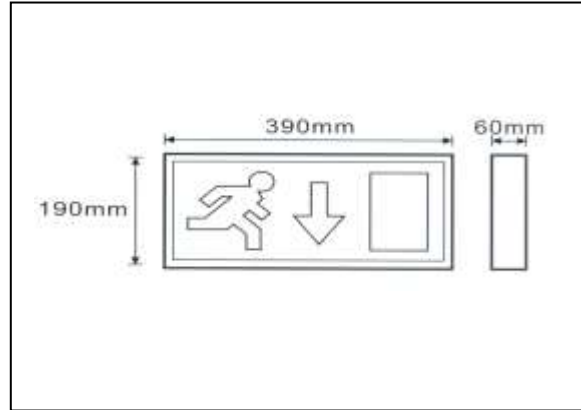
- Ø ¾ " diameter
- Outer diameter: Ø 9mm to Ø14mm



QUANTUM

QUANTUM ELECTRONICS CORPORATION

117 Tirad Pass Street, Caloocan City, Metro Manila, 1400
Telephone numbers: +63(2) 3634075 3634077 363-5573
FAX# 632-3638087 e-mail: quantum_corp@yahoo.com.ph
Website: <http://www.quantumelectronics.com>



EEL-LED165 High Output EXIT LED Emergency EXIT Light

STANDARD FEATURES

HOUSING

- Powder epoxy paint steel body
- Acrylic material for display panel
- Single or double face configuration

DISPLAY

- Green background with white text
- Height & stroke of lettering as per customer's specification
- Single or double sided

MOUNTING

- Universal (Wall, side or ceiling mount)
- Knockouts for desired mounting position

PACKING SPECIFICATIONS

- 1 unit per individual box

PRODUCT WARRANTY

- One Year for Parts
- Lifetime Free Service

ELECTRICAL FEATURES

ELECTRICAL

- 220~240 VAC 50/60Hz
- Power consumption @ 3 Watts
- LED charge monitor

LIGHT SOURCE

- 30,000 hours lifespan
- 24-LED 5.0Ømm 6,000°K
- LEDs mounted on PCB

BATTERY

- UL Listed Ni-Cd 3.6V 700mAh

PERFORMANCE

- 2 hours \pm 10% lighting duration

CHARGER

- 24 hours recharge period after discharge
- Low voltage battery (LBD) discharge disconnection to protect the battery from deep discharge damage to the battery

Specification and Design Improvements are Subject to Change Without Prior Notice



QUANTUM

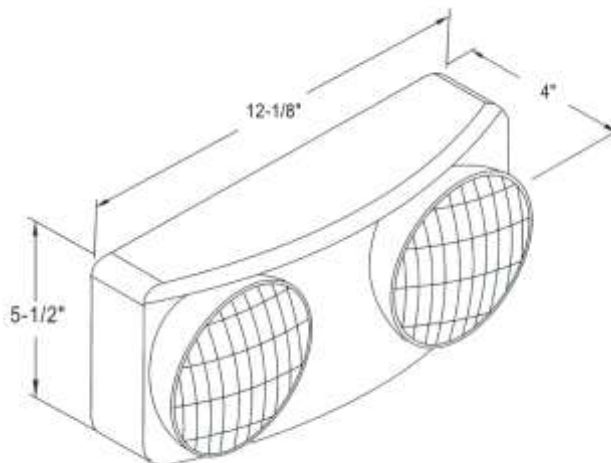
LED Emergency Lights



MODEL: *EXL-950-NC-LED*

Features

- ❑ Designed for fast and easy wall mounted or ceiling mounted applications
- ❑ Fully automatic operation, exceeds UL complied 90-minutes operation
- ❑ UL-90V-0 Flame-rated Injection-molded ABS housing
- ❑ Fully adjustable, glare-free headlights with 45° tilt on all sides
- ❑ High Quality Fully automatic solid state charger
- ❑ Maintenance-free sealed lead acid battery
- ❑ Standard input for 220~240VAC/60Hz operation
- ❑ 6 volt, 24/30-SMD LED high lumens output
- ❑ Low-voltage battery disconnect against over-discharged battery
- ❑ External switches for one or two lamp operation
- ❑ Test switch and 3.0mm \varnothing LED charge monitor indicator
- ❑ Operating Temperature Range: 10°C to 40°C



Dimensions



E181611

Construction

- Housing : UL-90V-0 flame-rating, Injection molded ABS housing
- Lamp Housing : Adjustable Glare-free headlights with min. 45° tilt on all sides
- Finish : Textured off-white

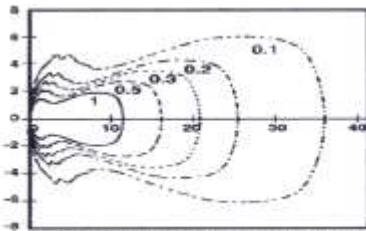
Illumination

- LED Type : 24/30-SMD LED
- LED Voltage : 6 volts DC
- LED Wattage : 3.0 x 2 watts
- Rated LED life : 30,000 hours



Photometrics

High Power, High-Output 6V, 24/30-SMD LED



(Horizontal Isofootcandle Distribution)

Comparative Lux Output between LED and Vacuum Bulb		
Type	24/30-LED SMD	5.4W Vacuum Bulb
Min.	8.8~10 Lux	2.8 Lux
Ave.	12.4~14 Lux	5.4 Lux
Max.	15.1~18 Lux	8.0 Lux

Installation

Unit Wall Mounting: Unit mounts to 3.5", 4" octagon, or 4" square outlet boxes. The back plate provides a universal knockout pattern for mounting outlet box. Keyholes provided for securing unit housing to wall surface.

Wiring: Pre-stripped AC input leads provided. All AC connections are made inside unit housing. Wire connector provided for easy AC cord connection.

Operating Temperature Range: 10° to 40° C

Electronics

- Input Voltages** : 220~240VAC, 60Hz
- Built-in Protection** : Low voltage Battery disconnect
- Charger** : Solid state, constant voltage, current limited
- Charging** : At least 24 hours for full charge but < 36 hours continuous charging
- Switchover** : Solid state heavy duty relay
- Test Method** : On-line or OFF-line test ON/OFF switch
- AC Indicator** : 3.0mmØ LED
- Battery** : 6V 2.0AH Nickel Cadmium
- Lighting duration** : 5 hours rated
- Compliance** : UL924 and CE Certified
- Warranty** : One Year Parts and Life-time Free Service



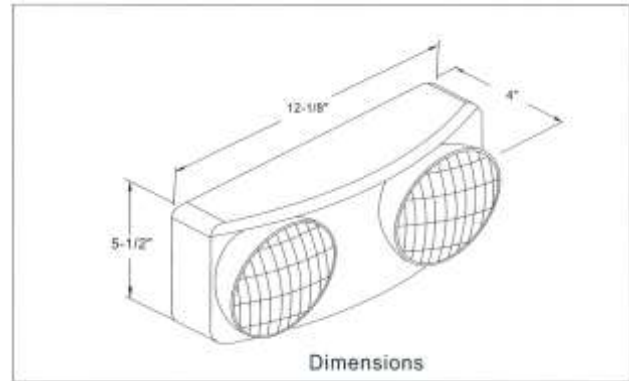
QUANTUM



QUANTUM

QUANTUM ELECTRONICS CORPORATION

117 Tirad Pass Street, Caloocan City, Metro Manila, 1400
Telephone numbers: +63(2) 3634075 3634077 363-5573
FAX# 632-3638087 e-mail: quantum_corp@yahoo.com.ph
Website: URL: <http://www.quantumelectronics.com.ph>



EXL-950-NC-LED HP Series UL Listed Emergency Light

STANDARD FEATURES

HOUSING

- Injection-molded ABS housing
- UL-94V-0 flame rating
- Two adjustable glare-free headlights

MOUNTING

- Wall or ceiling mounting
- Removable mounting knock-outs and J-box pattern on back plate
- Innovative snap-lock design for fast and simple installation

PACKING SPECIFICATIONS

- 9.60 kgs. Net weight per master box
- 12.0 kgs. Gross weight per master box

PRODUCT WARRANTY

- One Year for Parts
- Three Years for LEDs
- Lifetime Free Service

ELECTRICAL FEATURES

ELECTRICAL

- 220~240 VAC 50/60Hz
- Optional Supply Input Voltage 277VAC
- Convenient Test Switch ON/OFF
- LED charge monitor

LIGHT SOURCE

- Hi-Power SMD-48LED (20W*2)
- 4,500°K, 6,000°K 6.5~7.5LM

BATTERY

- UL Listed Ni-Cd 6V 2.5Ah

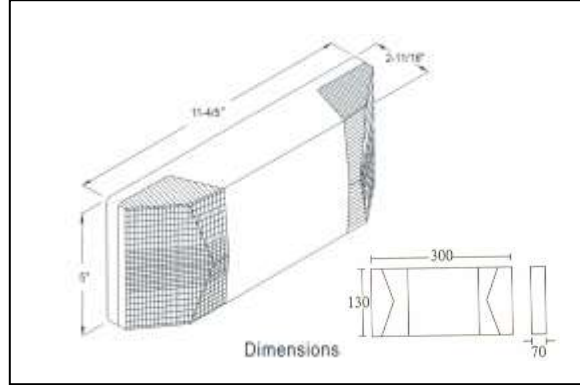
PERFORMANCE

- > 4 hours \pm 10% lighting duration

CHARGER

- 24 hours recharge period after discharge
- Low voltage battery disconnection to protect the battery from deep discharge damage to the battery

Specification and Design Improvements are Subject to Change Without Prior Notice



EXL-980-NC-LED 6V Series

STANDARD FEATURES

HOUSING

- Injection-molded ABS housing
- UL-94V-0 flame rating
- Two flush mounted fresnel lenses to maximize light output and provide glare free light distribution

MOUNTING

- Wall or ceiling mounting
- Removable mounting knock-outs and J-box pattern on back plate
- Innovative snap-lock design for fast and simple installation

PACKING SPECIFICATIONS

- 9.60 kgs. Net weight per master box
- 12.0 kgs. Gross weight per master box

PRODUCT WARRANTY

- One Year for Parts
- Two (2) Years for LEDs
- Lifetime Free Service

ELECTRICAL FEATURES

ELECTRICAL

- 220~240 VAC 50/60Hz
- Convenient Test Switch
- LED charge monitor

LIGHT SOURCE

- 30,000 hours lifespan
- 4,500°K, 6,000°K Epistar chips
- SMD-LED 6V 7.5~8.5 lm

BATTERY

- UL Listed* Ni-Cd Battery 6V 2.0Ah

PERFORMANCE

- 4~5 hours \pm 10% lighting duration

CHARGER

- 24 hours recharge period after 8 hours emergency discharge.
- Low voltage battery disconnection to protect the battery from deep discharge damage to the battery



QUANTUM

QUANTUM ELECTRONICS CORPORATION

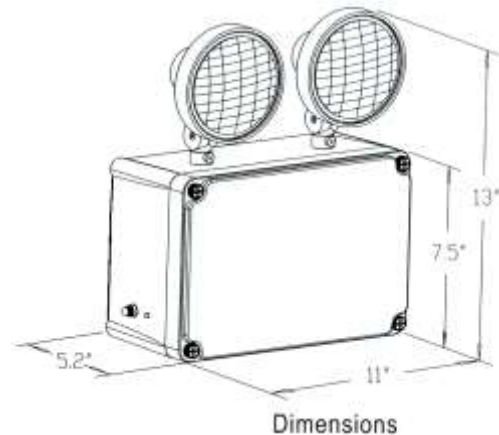
No. 117 Tirad Pass Street, Caloocan City, Metro Manila
Telephone: +63(2) 363-4075 363-4077 363-5573
FAX No. 363-8087 e-mail: quantum_corp@yahoo.com.ph
Website: URL: <http://www.quantumelectronics.com>



MODEL: IP102-6W-COB-LED

Special Product Features

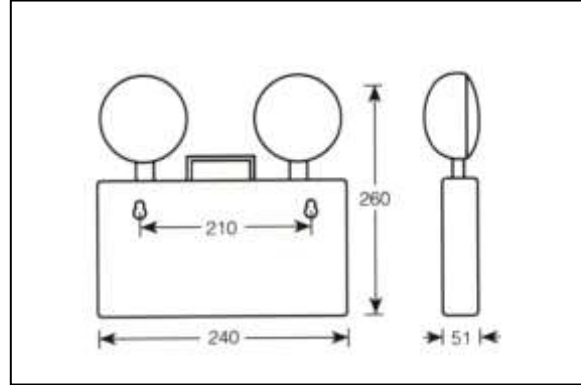
- ❑ 5th Generation IC Control Charger
- ❑ Industrial Grade Materials
- ❑ High Output 400 lumens
- ❑ Over Charge Protection Circuit
- ❑ Low Battery Voltage Protection
- ❑ UL listed SLA Rechargeable Battery
- ❑ Suitable for COLD or low temperature area
- ❑ IP56 Water Tight Casing & PAR36 Headlights
- ❑ Built-in Air Vent for internal heat regulator



Product Specifications

Input Voltage	230VAC 60Hz
Battery Specification	UL Listed 6V 4.5Ah SLA
Charging Duration	36~48 hours ±10%
LED Specification	Hi-Power 6W-COB--LED (400 lumens Output)
Color Temperature	6,500°K
Emergency Duration	> 8 hours ± 10%
Remote Test Switch type	Water resistant grade
AC Power Monitor	5mmØ Red LED
Charger Circuit	Fully Automatic Dual Mode charger
Operating Temperature	- 20 °C to 40 °C
Dimensions (LxWxH)	280mm x 188mm x 132mm (variable)
Product Warranty	One Year – Parts Life Time Free Service

Prices are Subject to Change Without Prior Notice



**QHL-800-NC-LED 3.6V HO Series
 High Power LED Emergency Light**



STANDARD FEATURES

HOUSING

- ❑ Electro galvanized steel with epoxy powder coating
- ❑ Two adjustable pivot lamp-heads providing desired flexible angle projection

MOUNTING

- ❑ Wall or ceiling mounting
- ❑ Eye-hole on the back plate for mounting

PACKING SPECIFICATIONS

- ❑ 1.2 kgs. per unit
- ❑ 10 units per Master box

REFERENCE STANDARD

- ❑ IEC 60598-2-22
- ❑ GB17945-2000

PRODUCT WARRANTY

- ❑ One Year for Parts
- ❑ Two (2) Years for LEDs
- ❑ Lifetime Free Service

ELECTRICAL FEATURES

ELECTRICAL

- ❑ 220~240 VAC 50/60Hz
- ❑ Convenient Test Switch
- ❑ Charge, Fault, Power LED indicator

LIGHT SOURCE

- ❑ 30,000 hours lifespan
- ❑ CCT 6,000°K High Power LED
- ❑ High Power 2W*2 3.6V

BATTERY

- ❑ *UL Listed* NI-Cd 3.6V 1.8Ah

PERFORMANCE

- ❑ 3~4 hours ± 10% lighting duration

CHARGER

- ❑ 48 hours recharge period after 4 hours emergency discharge.
- ❑ Low voltage battery disconnection to protect the battery from deep discharge damage to the battery



**QHL-900-NC LED 6V Series
 High Output LED Emergency Light**

STANDARD FEATURES

HOUSING

- Electro galvanized steel with epoxy powder paint coating
- Two adjustable metallic MR16 LED bulb providing flexible angle projection

MOUNTING

- Wall or ceiling mounting
- Recessed mounting (Optional)

REFERENCE STANDARD

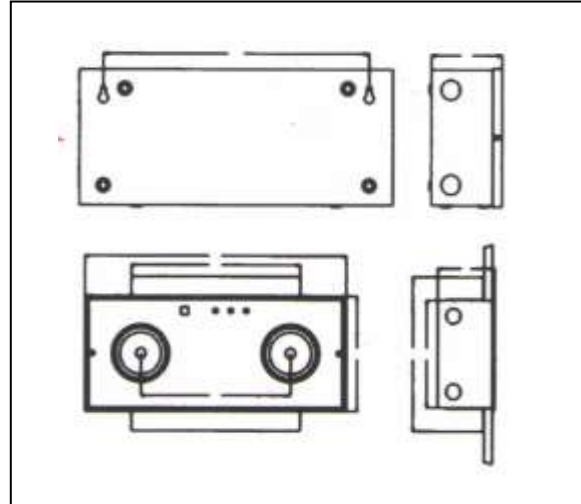
- IEC 60598-2-22
- GB17945-2000

PACKING SPECIFICATIONS

- 335mm(L) x 140mm(H) x 80mm(W)
- 1.75 kgs. Net weight per unit
- 18.5 kgs. Per Master box of 10 pcs.

PRODUCT WARRANTY

- One Year for Parts
- Two (2) Years for LEDs
- Lifetime Free Service



ELECTRICAL FEATURES

ELECTRICAL

- 220~240 VAC 50/60Hz
- Convenient Test Switch
- IC Control NC Battery Charger
- LED charge monitor

LIGHT SOURCE

- 30,000 hour lifespan Epistar chips
- CCT 6,000°K High Output LED
- MR16 GU5. LED 6V 1W*2

BATTERY

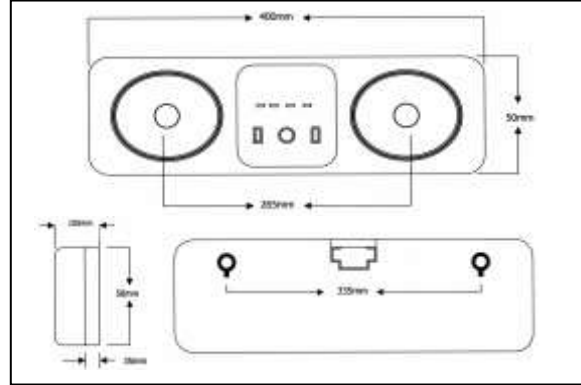
- UL Listed* Ni-Cd 6V 2.8Ah

PERFORMANCE

- 8 hours ± 10% lighting duration

CHARGER

- 24 hours recharge period after discharge
- Low voltage battery disconnection to protect the battery from deep discharge damage to the battery



**QHL-1008-SLA-LED 6V Series
 High Output Emergency Light**

STANDARD FEATURES

HOUSING

- Injection-molded ABS housing
- UL-94V-0 flame rating
- Two flush mounted wide diameter lenses to maximize light output and provide glare free light distribution

MOUNTING

- Wall or ceiling mounting
- Removable mounting knock-outs and J-box pattern on back plate

PACKING SPECIFICATIONS

- 2.01 kgs. Net weight per unit (6V 4.5Ah)
- 3.10 kgs. Net weight per unit (6V 12AH)
- 10 units per Master box

PRODUCT WARRANTY

- One Year for Parts
- Two (2) Years for LEDs
- Lifetime Free Service

ELECTRICAL FEATURES

ELECTRICAL

- 220~240 VAC 50/60Hz
- Convenient Test Switch
- Individual lamp switch
- LED charge monitor

LIGHT SOURCE

- 30,000 hours lifespan
- CCT 6,500°K Epistar chips
- SMD 24-LED 6V 8.0~9.5 lm

BATTERY

- UL Listed* SLA 6V 4.5Ah

PERFORMANCE

- 7~8 hours ± 10% lighting duration

CHARGER

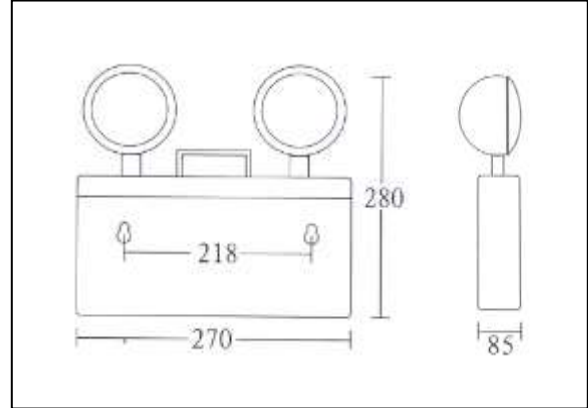
- 48 hours recharge period after 8 hours emergency discharge.
- Low voltage battery disconnection to protect the battery from deep discharge damage to the battery



QUANTUM

QUANTUM ELECTRONICS CORPORATION

117 Tirad Pass Street, Caloocan City, Metro Manila, 1400
Telephone numbers: +63(2) 3634075 3634077 363-5573
FAX# 632-3638087 e-mail: quantum_corp@yahoo.com.ph
Website: URL: <http://www.quantumelectronics.com.ph>



QHL-2021-SLA-LED High Output SMD - 24LED Emergency Light

STANDARD FEATURES

HOUSING

- ❑ Electro-galvanized steel with epoxy powder paint coating
- ❑ Metallic Head Gear with Glass Cover
- ❑ Two adjustable ABS headlights

MOUNTING

- ❑ Wall or ceiling mounting
- ❑ Eye-hole for ready wall mounting

PACKING SPECIFICATIONS

- ❑ 5 units per master box
- ❑ 270mm x 85mm x 280mm

STANDARD LIGHTING DURATION

- ❑ > 8 hours endurance

PRODUCT WARRANTY

- ❑ One Year for Parts
- ❑ Two Years for Epistar chips
- ❑ Lifetime Free Service

ELECTRICAL FEATURES

ELECTRICAL

- ❑ 220~240 VAC 50/60Hz
- ❑ Individual ON/OFF LED switch
- ❑ LED charge and power monitor

LIGHT SOURCE

- ❑ 30,000 hours lifespan
- ❑ 4,500°K ~ 6,000°K color temperature
- ❑ SMD-24LED 6V 7.0~7.5 Im Epistar chip

BATTERY

- ❑ Sealed Lead Acid Battery 6V 4.5Ah

PERFORMANCE

- ❑ 8 ~ 10 hours \pm 10% lighting duration

CHARGER

- ❑ 24 hours recharge period after discharge
- ❑ Low voltage battery disconnection to protect the battery from deep discharge damage to the battery

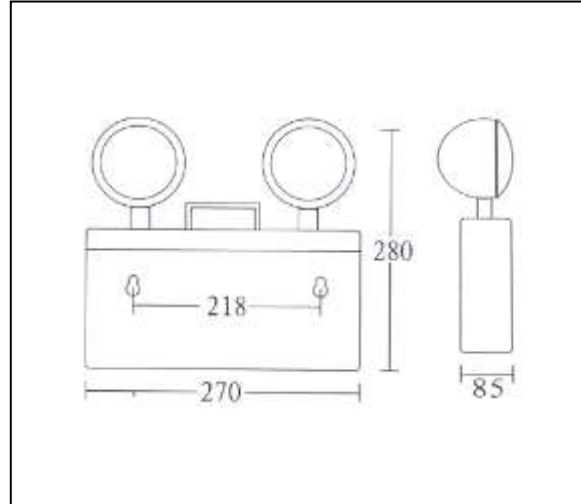
Specification and Design Improvements are Subject to Change Without Prior Notice



QUANTUM

QUANTUM ELECTRONICS CORPORATION

117 Tirad Pass Street, Caloocan City, Metro Manila, 1400
Telephone numbers: +63(2) 3634075 3634077 3527105
FAX# 632-3638087 e-mail: quantum_corp@yahoo.com.ph
Website: URL: <http://www.quantumelectronics.com>



QHL-6001-SLA LED 6V Series High Output LED Emergency Light



STANDARD FEATURES

HOUSING

- Electro galvanized steel with epoxy powder paint coating
- Two adjustable ABS headlights

MOUNTING

- Wall or ceiling mounting
- Recessed mounting (Optional)

REFERENCE STANDARD

- IEC 60598-2-22
- GB17945-2000

PACKING SPECIFICATIONS

- 5 units per master box
- 270mm x 85mm x 280mm

PRODUCT WARRANTY

- One Year for Parts
- Two (2) Years for LEDs
- Lifetime Free Service

ELECTRICAL FEATURES

ELECTRICAL

- 220~240 VAC 50/60Hz
- Convenient Test Switch
- IC Control NC Battery Charger
- LED charge and power monitor

LIGHT SOURCE

- 30,000 hour lifespan Epistar chips
- CCT 6,000°K High Output LED
- SMD-24LED high output 8.0~8.5 lumens

BATTERY

- UL Listed* SLA 6V 4.5Ah

PERFORMANCE

- 8 hours \pm 10% lighting duration

CHARGER

- 24 hours recharge period after discharge
- Low voltage battery disconnection to protect the battery from deep discharge damage to the battery

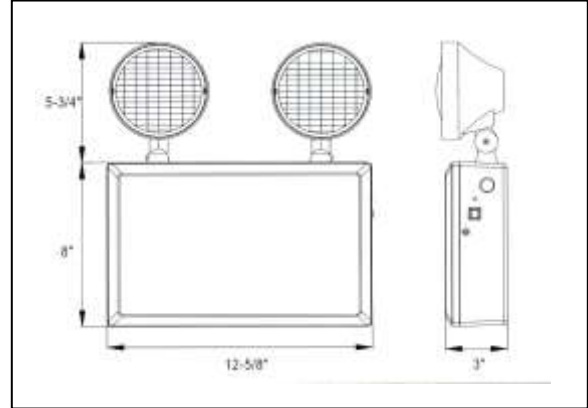
Specification and Design Improvements are Subject to Change Without Prior Notice



QUANTUM

QUANTUM ELECTRONICS CORPORATION

117 Tirad Pass Street, Caloocan City, Metro Manila, 1400
Telephone numbers: +63(2) 3634075 3634077 352-7105
FAX# 632-3638087 e-mail: quantum_corp@yahoo.com.ph
Website: URL: www.quantumelectronics.com.ph



QHL-6003-NC-LED COB-HO 6.0V Series High Output LED Emergency Light

STANDARD FEATURES

HOUSING

- Electro-galvanized steel with epoxy powder paint coating
- PAR36 glare-free headlights
- Two adjustable glare-free headlights

MOUNTING

- Wall or ceiling mounting
- Eye-hole for ready mounting

STANDARD COMPLIANCE

- EN60598-2-22

PACKING SPECIFICATIONS

- 1 unit per box
- 270 x 70 x 300 m/m

PRODUCT WARRANTY

- One Year for Parts
- Lifetime Free Service

ELECTRICAL FEATURES

ELECTRICAL

- 220~240 VAC 50/60Hz
- Individual ON/OFF LED switch
- LED charge and power monitor
- Battery Switch

LIGHT SOURCE

- 30,000 hours lifespan
- 2,700°K ~ 3,200°K color temperature
- High Output LED 6W COB E-chips

BATTERY

- UL Listed* Ni-Cd 6.0V 2.0~2.8Ah

PERFORMANCE

- > 2 hours \pm 10% lighting duration

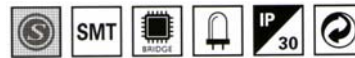
CHARGER

- 24 hours recharge period after discharge
- Constant Current charger IC Controller
- Low voltage battery disconnection to protect the battery from deep discharge damage to the battery

Specification and Design Improvements are Subject to Change Without Prior Notice



**SEL-1010-NC-LED 6V Series
 High Power LED Emergency Light**



STANDARD FEATURES

HOUSING

- Electro galvanized steel with epoxy powder coating
- Two adjustable metallic lamp-heads providing 360° flexible angle projection

MOUNTING

- Wall or ceiling mounting
- Eye-hole on the back plate for mounting

PACKING SPECIFICATIONS

- 1 pc. per box
- 10 units per Master box

REFERENCE STANDARD

- IEC 60598-2-22
- GB17945-2000

PRODUCT WARRANTY

- One Year for Parts
- Three (3) Years for LEDs
- Lifetime Free Service

ELECTRICAL FEATURES

ELECTRICAL

- 220~240 VAC 50/60Hz
- Convenient Test Switch
- Charge, Fault, Power LED indicator

LIGHT SOURCE

- 30,000 hours lifespan
- CCT 2,700°K or 6,500°K
- High Power SMD (300 lumens)

BATTERY

- UL Listed* NI-Cd 6.0V 2.5Ah

PERFORMANCE

- 5 ~ 7 hours ± 10% lighting duration

CHARGER

- Fully automatic smart IC Control Charger
- Low voltage battery disconnection to protect the battery from deep discharge damage to the battery